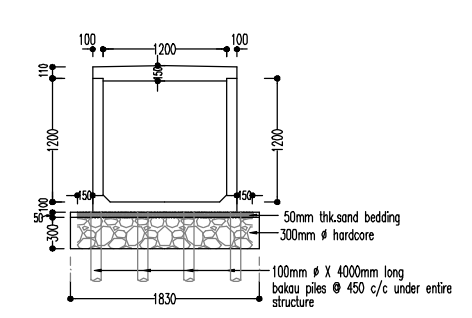
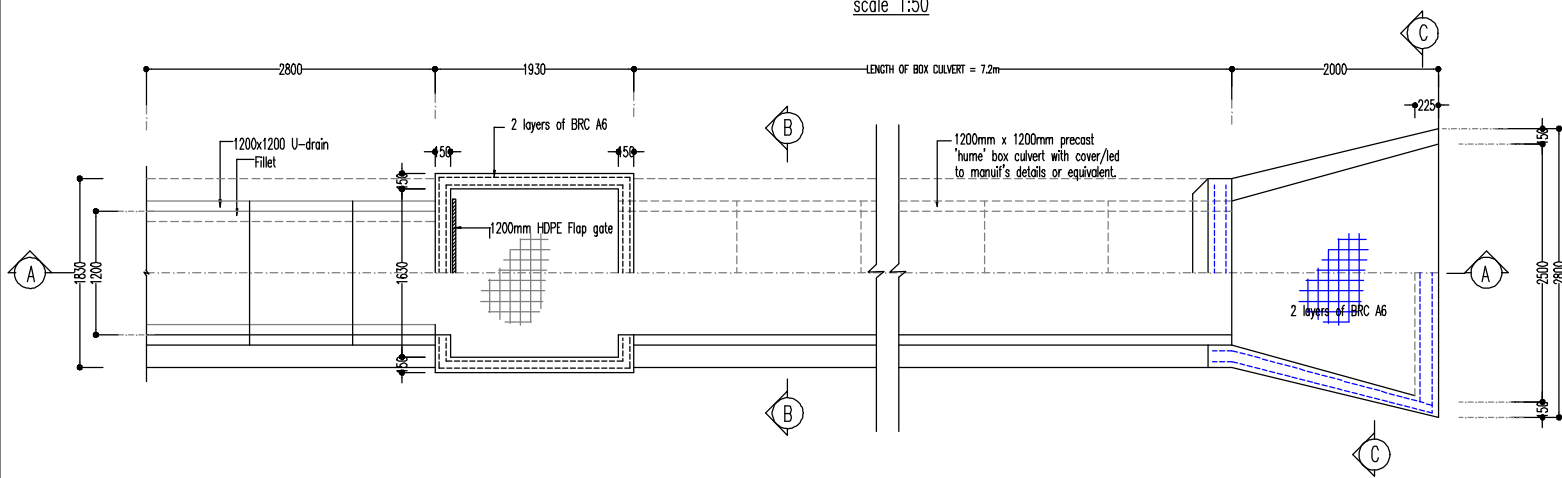


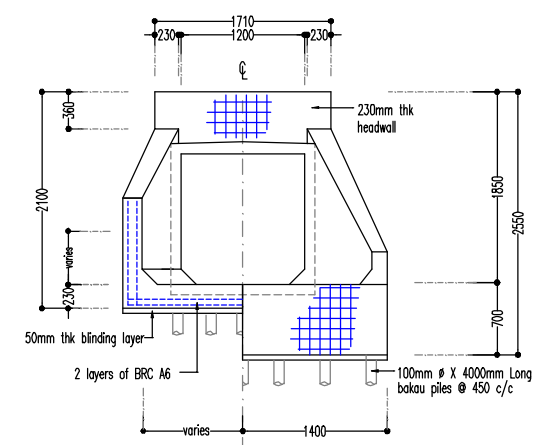
SECTION A-A
scale 1:50



SECTION B-B
scale 1:50



HALF SECTIONAL PLAN



SECTION C-C
scale 1:50

NOTES:

1. All dimensions are in millimeters unless otherwise indicated.
2. **CONCRETE**
 - a) Plain concrete grade 10 for 50mm thk. bedding layer.
 - b) Reinforced concrete grade 20 for all reinforcement concrete.
3. **COVER TO REINFORCEMENT.**
40mm base slab and 25mm for all other reinforcement.
4. **FORMWORK**
Rough faced formwork for surfaces in contact with earth fair faced formwork for all other surfaces.
5. **BAKAU PILES**
125mm average diameter x 4800mm long bakau piles to be driven at 450mm centres bothways under the entire structure or as directed.
6. **PAINTING.**
As specified for all exposed concrete surfaces.

JABATAN PENGAIRAN DAN SALIRAN
DAERAH SEBERANG PERAI SELATAN
PULAU PINANG

	TANDATANGAN	NAMA	TARIKH	SEKIL: 1 : 50
DITUBAHSUTAI OLEH				NO. PELAN:
DILUKIS OLEH				NO. NEG.
DISEMAK OLEH				NO. KABINET